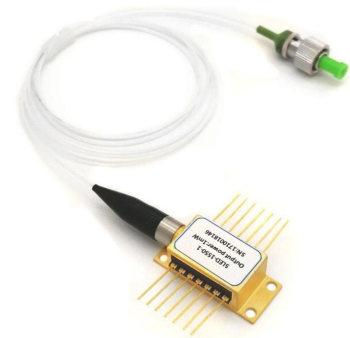


1310nm 10mW SLED Diode

1. Features:

- 1310nm SLED chip;
- Low spectral ripple, Broad bandwidth;
- Industry-standard, 14-pin butterfly package;
- Built-in TEC and optical isolator;
- Low polarization sensitivity.

Reliability: Telcordia GR-468. RoHS



2. Applications:

- Optical fiber communications system;
- Optical fiber Gyroscopes;
- Optical fiber sensors;
- Optical coherence tomography;
- Biomedical imaging systems.

3. Absolute Maximum Ratings:

Parameter	Symbol	Condition	Min.	Typ.	Max.	Unit
Storage temperature	T _s	-	-40	-	85	°C
Operating case temperature	T _{op}	-	-40	-	75	°C
Forward current	I _F	CW	-	-	600	mA
Laser reverse voltage	V _{LR}	-	-	-	2	V
TEC current	I _{TEC}	-	-	-	2.0	A
TEC voltage	V _{TEC}	-	-	-	3.5	V

4. Electro-Optical Characteristics(25°C laser temperature):

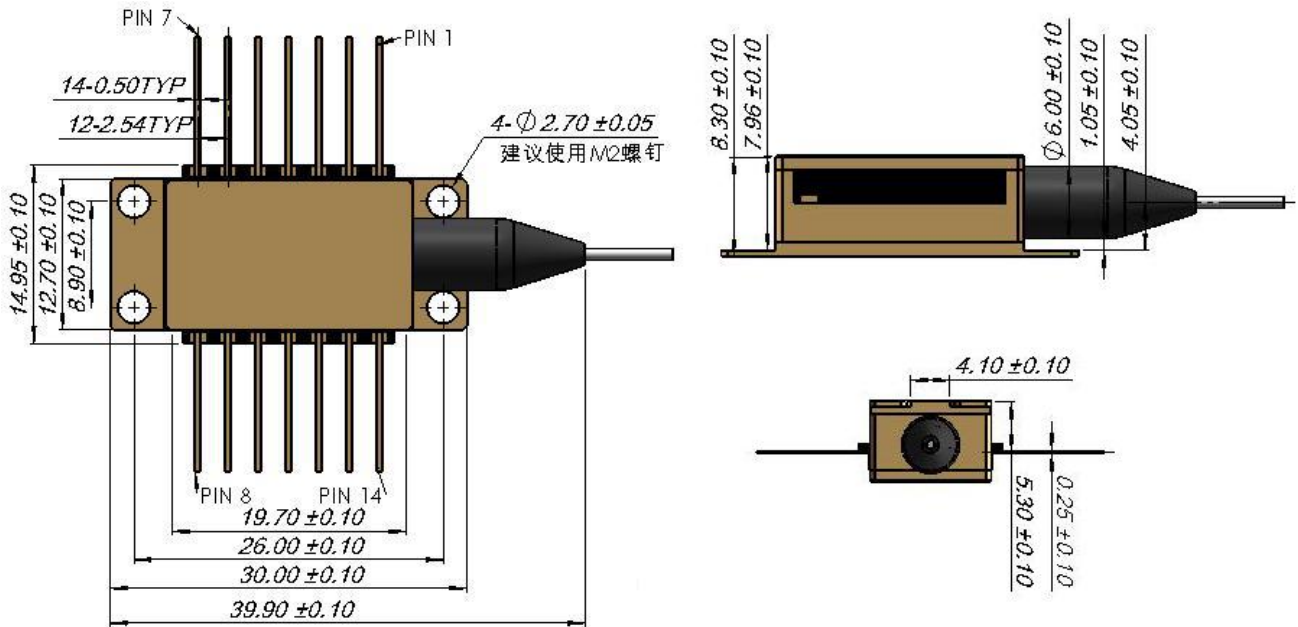
Parameter	Symbol	Condition	Min.	Typ.	Max.	Unit
Center Wavelength	λ _c	TL=15~35°C CW	1290	1310	1330	nm
Peak Optical Output Power	P _O	-	10	-	-	mW
Threshold Current	I _{TH}	-	-	80	-	mA
Operating current	I _{op}	P _O = 10mW (CW)	-	400	500	mA
Full Width at Half Max.	FWHM	P _O = 10mW (CW)	-	40	-	nm
Spectral Ripple	M	RB=0.1nm, CW 10mW	-	-	0.3	dB
Optical Isolation	-	-10 < T _C < +70°C	30	-	-	dB
TEC set temperature	T _s	-	15	-	35	°C
Laser Forward Voltage	V _F	CW output power 10mW	-	2.5	3.0	V
Thermistor Current	I _{TC}	-	10	-	100	μA
Thermistor Resistance	R _{TH}	TL = 25°C	9.5	10	10.5	KΩ

TEC Current	I_{TEC}	TL = 25°C, TC = 70°C	-	0.8	1.5	A
TEC Voltage	V_{TEC}	TL = 25°C, TC = 70°C	-	1.5	3.5	V
TEC capacity	ΔT	Tc = 70°C	-	-	50	°C
Thermistor temperature	-	-	-	-	100	°C

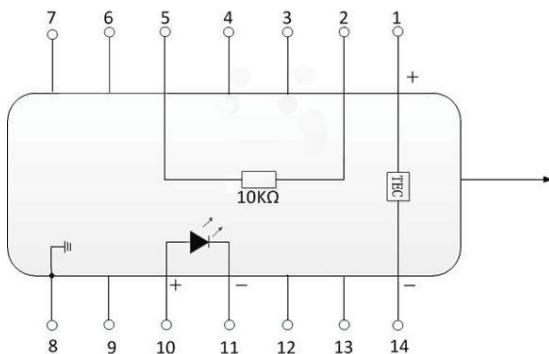
5. Optical Fiber Specifications:

Parameters	Description
Fiber Type	SMF-28e or PM fiber
Pigtail Type	900μm loose tube
Pigtail Length	1.0±0.1m
Connector Type	FC/APC

6. Package drawing&PIN-OUT Definition(Unit:mm):



Type 2



PIN	Description	PIN	Description
1	TEC(+)	14	TEC(-)
2	Thermistor	13	NC
3	NC	12	NC
4	NC	11	SLED Cathode(-)
5	Thermistor	10	SLED Anode(+)
6	NC	9	NC
7	NC	8	Case Ground

7. Ordering Information:

BFSLD	-XXXX	-XX	XX	-XX	X
Laser type	Wavelength(nm)	Output power(mW)	Fiber type	Connector type	PIN-OUT
SLED Laser	1310: 1310 1550: 1550 1610: 1610 Other	01: 1mW 03: 3mW ... 10: 10mW Customized	SM : Single mode PM : Polarization maintaining	FA : FC/APC SA : SC/APC Other	NULL: Type 2 1: Type 1

E.g.:BFSLD-1310-10SM-FA (Order information: 1310nm SLED Butterfly laser with 10mW output power, and SM fiber with FC/APC connector, PIN-OUT is Type 3).